

## SK frames, primed, mild steel

SK-kehukset, pohjamaalattu teräs » Рама SK, окрашенная, стальная » SK-ramar, lackerat konstruktionsstål » Telaio SK, in acciaio con prima mano d'antiruggine



Parts needed for a complete solution



Optional

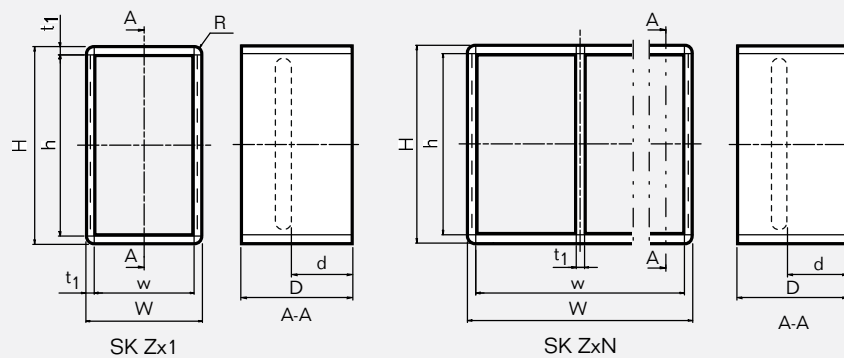


<b>RATINGS</b>	<b>Fire:</b> A-Class, H-Class	<b>Water pressure:</b> 4 bar	<b>Gas pressure:</b> 2.5 bar
----------------	-------------------------------	------------------------------	------------------------------

	FI Kehys	RU Рама	SE Ram	IT Telaio	GB Frame	Aukkojen lukumäärä		Pakkaustila (mm)	Ulkomitat (D=100 mm)		Paino	
						Количество проёмов	Зона уплотнения (мм)		HxW (mm)	HxW (in)	(kg)	(lb)
						Ramöppningar		Packningsutrymme (mm)	Yttermått (D=100 mm)		Vikt	
						Aperture telaio		Spazio di riempimento (mm)	Dimensioni esterne (D=100 mm)		Peso	
						Frame openings		Packing space (mm)	External dimensions (D=100 mm)		Weight	
									HxW (mm)	HxW (in)	(kg)	(lb)
						<b>SK 2x1 primed</b>	1	60 x 120	121 x 141	4.764 x 5.551	4.4	9.612
						<b>SK 2x2 primed</b>	2	60 x 120	121 x 271	4.764 x 10.669	7.1	15.675
						<b>SK 2x3 primed</b>	3	60 x 120	121 x 402	4.764 x 15.827	9.9	21.738
						<b>SK 2x4 primed</b>	4	60 x 120	121 x 532	4.764 x 20.945	12.6	27.800
						<b>SK 4x1 primed</b>	1	120 x 120	180 x 141	7.087 x 5.551	5.4	11.905
						<b>SK 4x2 primed</b>	2	120 x 120	180 x 271	7.087 x 10.669	8.4	18.585
						<b>SK 4x3 primed</b>	3	120 x 120	180 x 402	7.087 x 15.827	11.5	25.243
						<b>SK 4x4 primed</b>	4	120 x 120	180 x 532	7.087 x 20.945	14.5	31.923
						<b>SK 6x1 primed</b>	1	180 x 120	238 x 141	9.370 x 5.551	6.4	14.198
						<b>SK 6x2 primed</b>	2	180 x 120	238 x 271	9.370 x 10.669	10.8	23.722
						<b>SK 6x3 primed</b>	3	180 x 120	238 x 402	9.370 x 15.827	15.1	33.268
						<b>SK 6x4 primed</b>	4	180 x 120	238 x 532	9.370 x 20.945	19.4	42.814
						<b>SK 8x1 primed</b>	1	240 x 120	298 x 141	11.732 x 5.551	7.5	16.535
						<b>SK 8x2 primed</b>	2	240 x 120	298 x 271	11.732 x 10.669	12.4	27.315
						<b>SK 8x3 primed</b>	3	240 x 120	298 x 402	11.732 x 15.827	17.3	38.118
						<b>SK 8x4 primed</b>	4	240 x 120	298 x 532	11.732 x 20.945	22.2	48.899

## SK frames, technical information

SK-kehysten tekniset tiedot » Рама SK, техническая информация » SK-ramar, teknisk information »  
Telai SK, informazioni tecniche



Pos	(mm)	(in)
h	H - 20	H - 0.787
w	W - 20	W - 0.787
D	100	3.937
d	60	2.362
t <sub>1</sub>	10	0.394
R	R 10	R 0.394

Z = Frame size  
N = Number of horizontal openings

Z = Kehyksen koko  
N = Aukkojen lukumäärä vaakasuunnassa

Z - Размер рамы  
N - Количество проемов/секций по горизонтали

Z = Ramstorlek  
N = Antal öppningar i bredd

Z = Grandezza telaio  
N = Numero delle aperture orizzontali

Note: All dimensions are nominal values  
Huomaa: Kaikki mitat ovat nimellisarvoja  
Внимание: Все размеры номинальные  
Obs: Alla mått är nominella  
Nota: tutte le dimensioni sono valori nominali